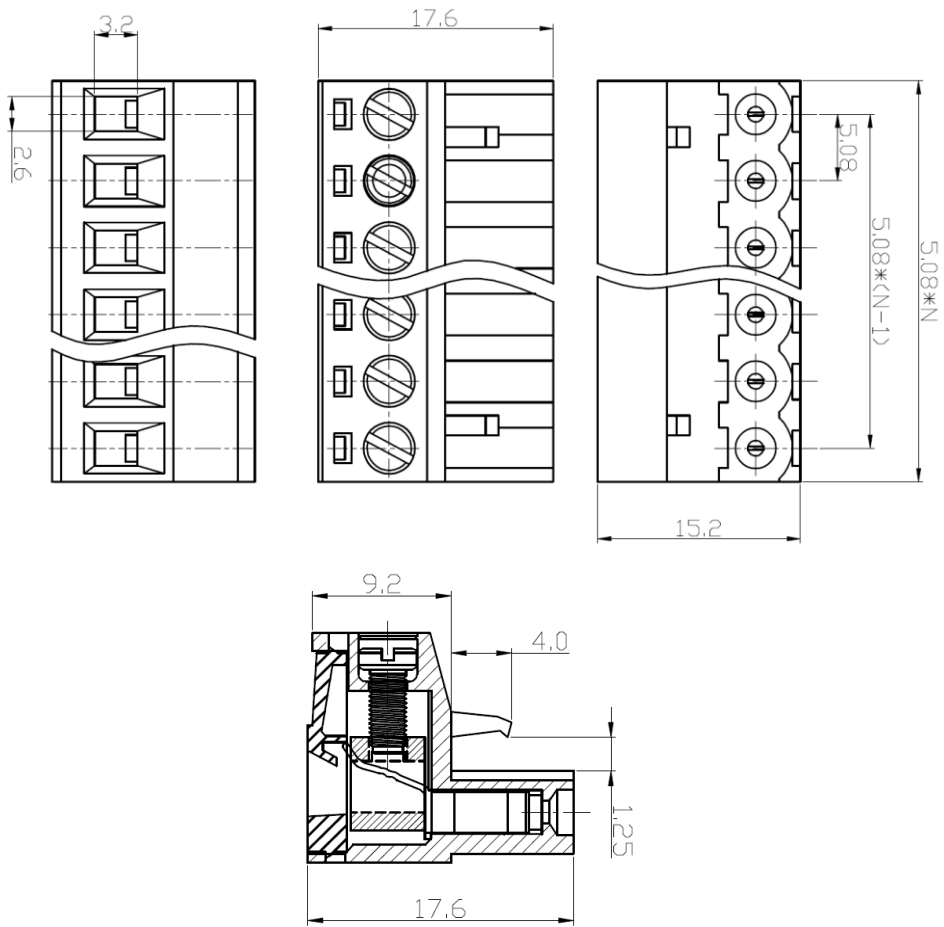


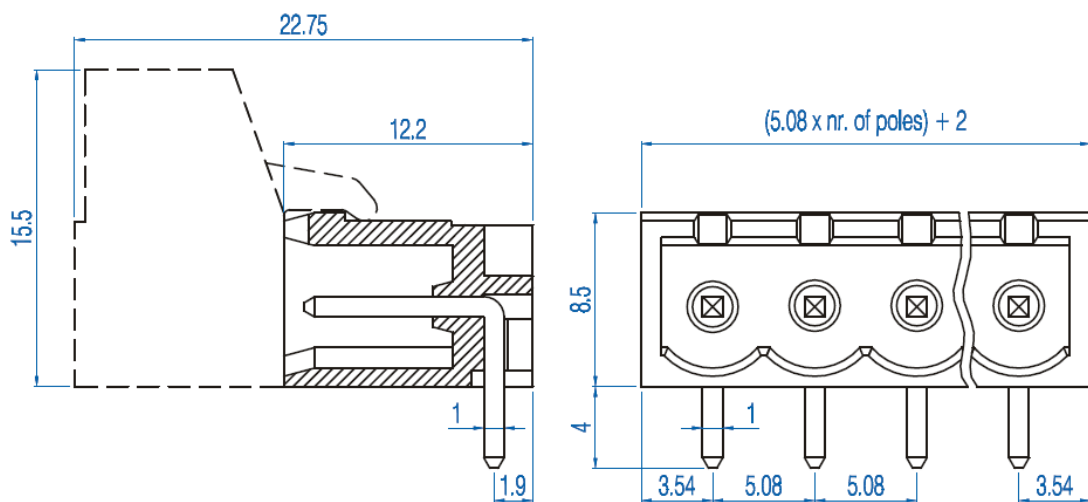
Mechanical Dimension:

Unit: mm

Female Plug:



Male Header Right Angle Pin:



Male Header - Straight Pin:

